

MODEL

Description: *Kitchen Strainer Waste*
Barcode: *5056634500725*

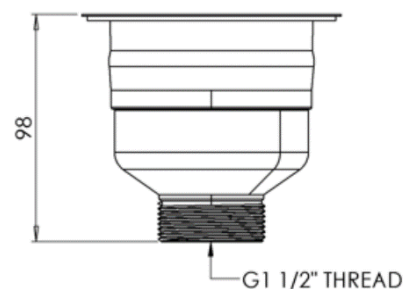
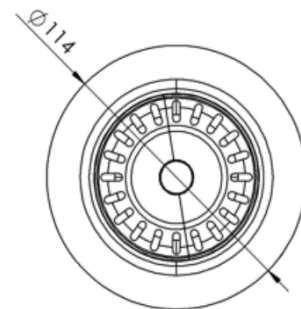
GENERAL

Category *Accessories*
Sub Category *Basket Strainer Wastes*
Related Standard(s) CE *EN 274-1:2002*
DOC ref: *DOC-KT-1017A*
Related Standard(s) UKCA *BS EN 274-1:2002*
DOC ref: *DOC-KT-1017B*
WRAS Approved *No*
WRAS No: *n/a*
Other *n/a*
No: *n/a*



SPECIFICATION

Colour / Finish *POLISHED STEEL*
Construction Material (Kitchens) *SS & Polypropylene*
Product Type *Sink Strainer Waste without Overflow*
Waste/Plug Type *Strainer*
Waste Location Type *Sink*
Waste Size *90 mm*
Connection type *n/a*
Outlet Thread size: *40mm (1 1/2")*



The information contained on this page was correct at date of issue. Fitting dimensions are provided as a guide only. Some variation may occur due to manufacturing tolerances.